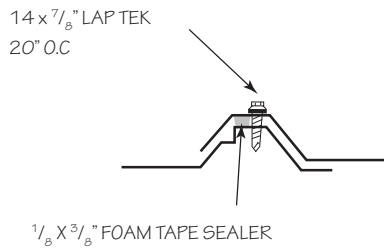
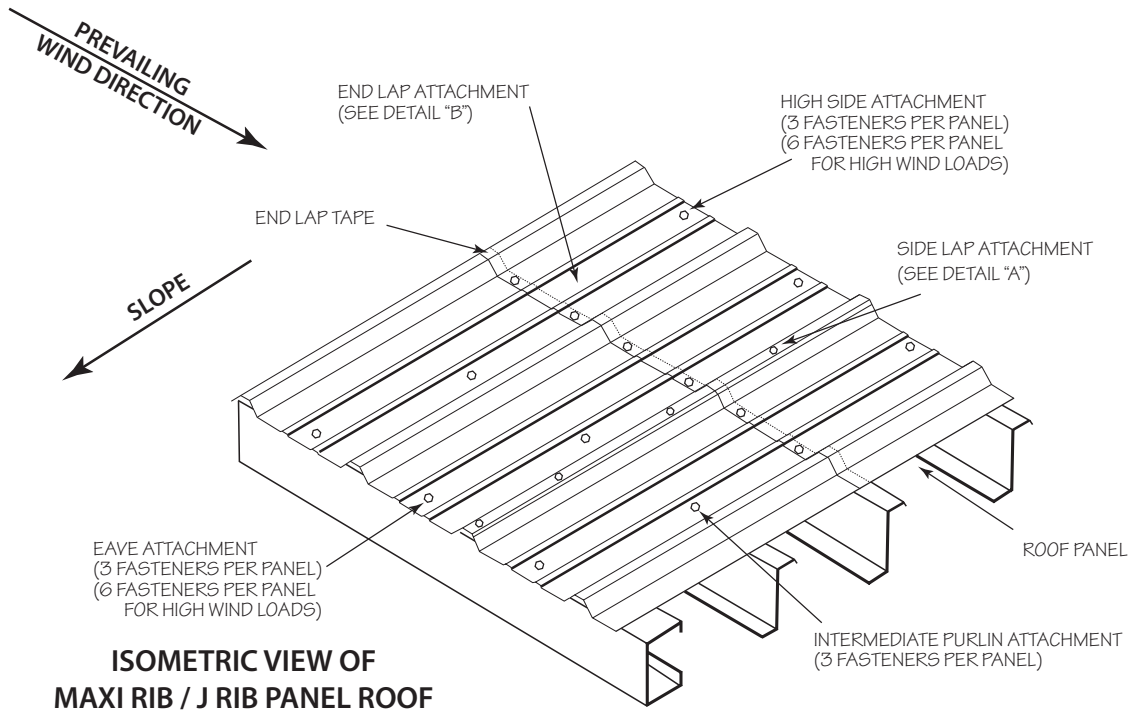
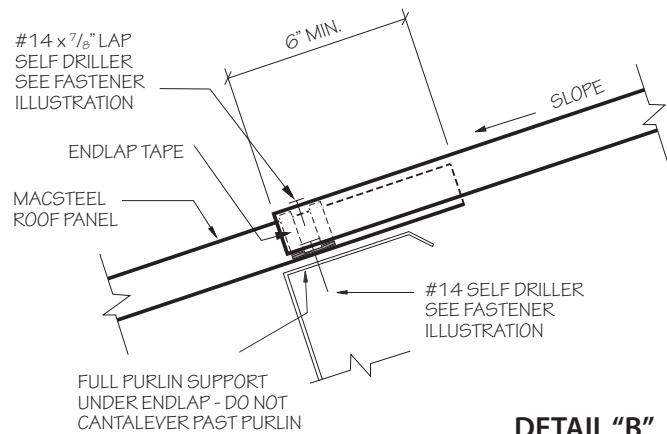


## MAXI RIB / J RIB END LAP DETAIL - STEEL PURLINS



**DETAIL "A"**



**DETAIL "B"**

### SIDE LAP NOTES:

1. 1/8 x 3/8" tape sealer can be installed between weather infiltration point and fastener.
2. Install 14 x 7/8" Lap Tek fasteners at 20" on center.
3. When possible, install panels such that side laps are nested away from prevailing winds.

### END LAP NOTES:

1. End lap tape sealer must be installed between weather infiltration point and fastener.
2. Install 1/4- 14 x 1" self-drilling fasteners on each side of the major ribs of panel (two fasteners per foot).

