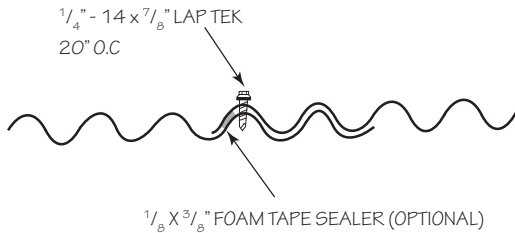
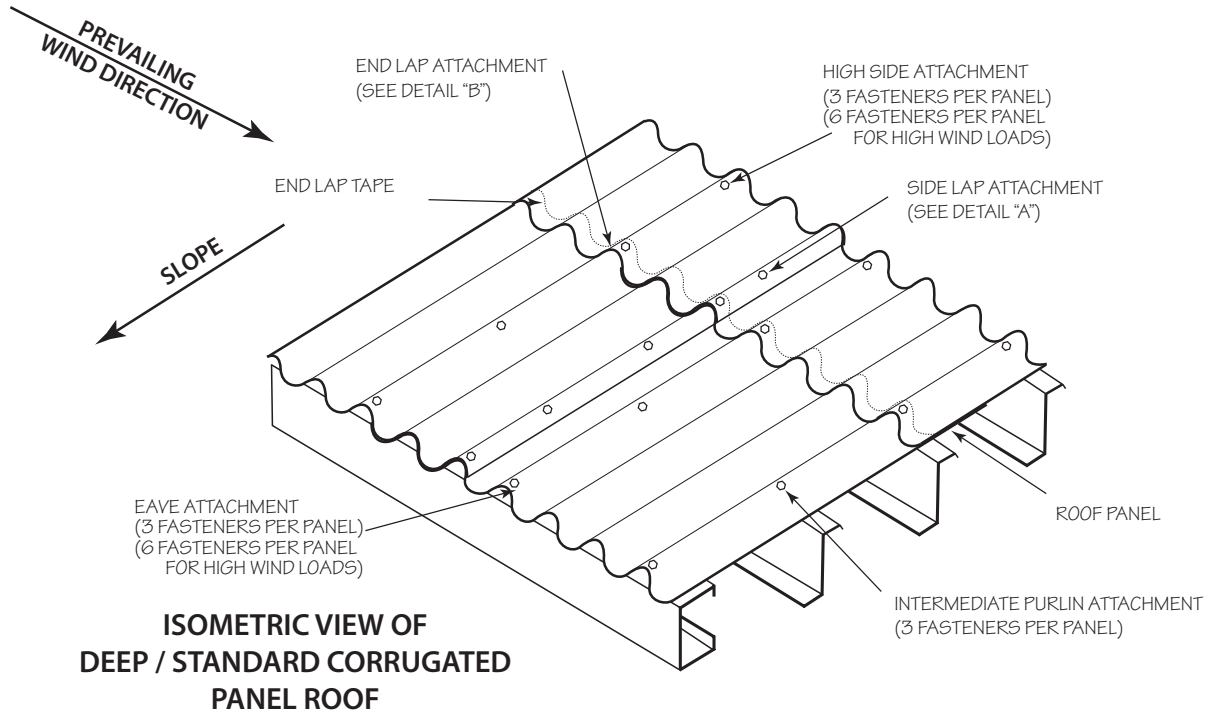
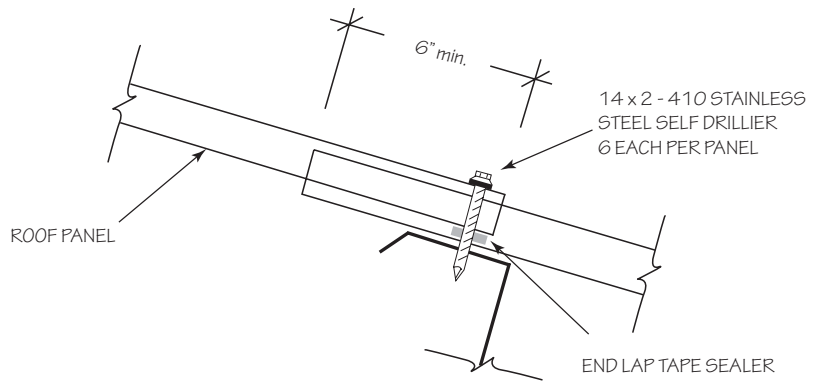


DEEP / STANDARD CORRUGATED END LAP DETAIL - STEEL PURLINS



DETAIL "A"



DETAIL "B"

SIDE LAP NOTES:

1. 1/8" x 3/8" tape sealer can be installed between weather infiltration point and fastener.
2. Install 14 x 7/8" Lap Tek fasteners at 20" on center.
3. When possible, install panels such that side laps are nested away from prevailing winds.

END LAP NOTES:

1. End lap tape sealer must be installed between weather infiltration point and fastener.
2. Install 14 x 2" self-drilling fasteners on each third rib of panel (approx. two fasteners per foot).

