

WG-7™ Closure

WG-7 closure and WG-7 adhesive closure  
For panel opening filler

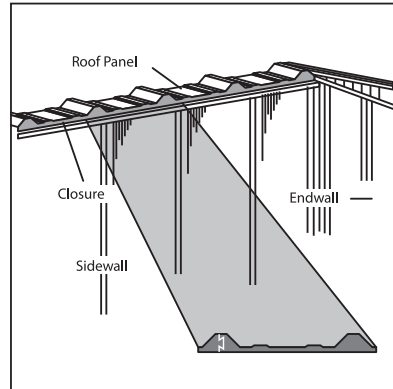
- The industry standard for closure material — time tested— millions of feet installed over the last 30-plus years.
- Polyethylene foam for exceptional strength and compressibility.
- Available with adhesive applied to the contact side of the panel surface assures positive positioning during installation.
- Resist damaging ultra violet rays and ozone deterioration.
- Over 1800 panel configurations available.
- Manufactured in multiple plants for quick delivery.

Application

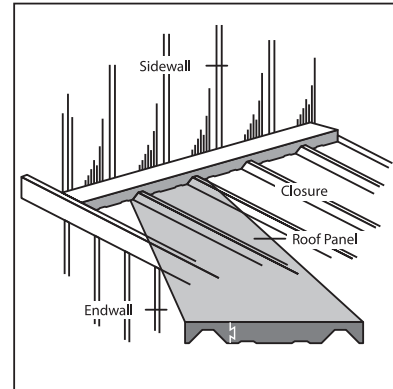
WG-7 Closure

Material Thickness: 1", 1-1/2", 2"

Color: Black



Typical Inside Closure Application



Typical Outside Closure Application

Technical Properties

Test	Test Method	Units	Values
Density	ASTM D3575	lb/ft³	1.7 - 1.9
Working Temperature Range	Internal	°F	194 max
			-76 min
Compression Deflection	ASTM D3575	psi	5.1
			13.6
Compression Set	ASTM D3575	% max	15
			6
Tear Strength	ASTM D3575	psi	11.5
Tensile Strength	ASTM D3575	psi	46.8
Elongation	ASTM D3575	%	165
Flammability	FMVSS302	4"/min	Pass
Shore Hardness	ASTM D2240	00	55

\*Data represents typical values measured on 0.4" thick specimen and should be considered as a guideline only.