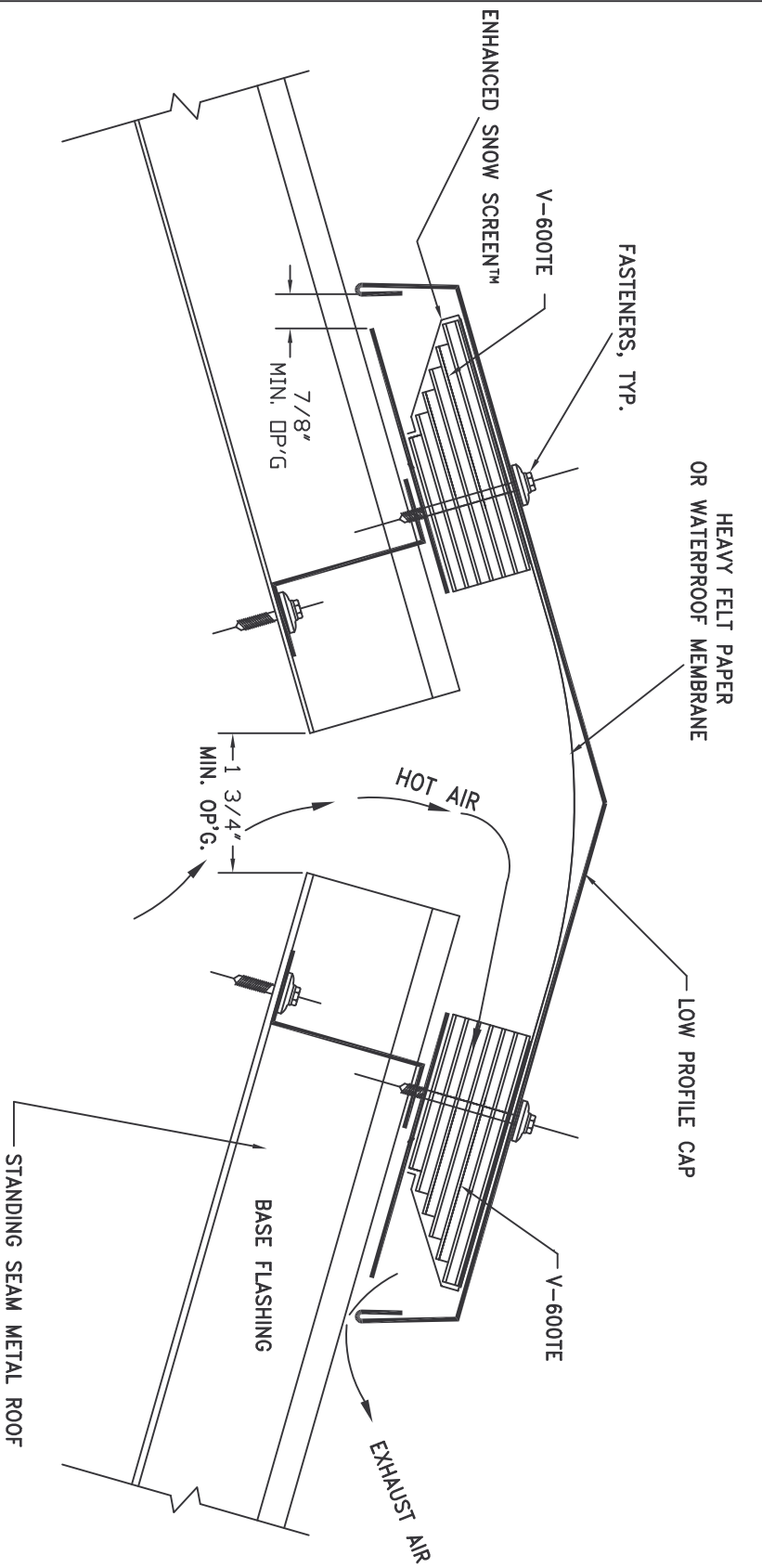


COR-A-VENT V-600TE W/STANDING SEAM
 METAL ROOFING & WIDE RIDGE CAP
 CAP WIDTH IS GREATER THAN 12"

NOTE: 1/2 PIECES OF V-600 11"
 OR V-400E 11" MAYBE SUBSTITUTED
 FOR V-600TE



NOTE: FOR DIMENSIONS OF ALL
 COR-A-VENT PRODUCTS
 PLEASE REFER TO DRAWING
 COR-EV1 & 2

This material may be duplicated only for
 the purposes of specifying Cor-A-Vent
 products. No permission is given to duplicate
 or otherwise copy this material for any other
 purpose without the express written permission
 of Cor-A-Vent, Inc.
 ©2005 COR-A-VENT, INC.

COR-A-VENT, INC. P.O. BOX 428 MISHAWAKA, IN 46546-0428 800-837-8368		DATE: 07/01/05	SCALE: APPROVED BY: G. SELLS	DRAWN BY: SR
COR-A-VENT V-600TE W/STANDING SEAM METAL ROOFING & WIDE RIDGE CAP		ARCHITECT REF. DRAWING	DRAWING NUMBER: COR-MTL2	